

FEED AND BIOFUEL

CONVEYING EQUIPMENT

SCREW CONVEYOR TYPE SC SINGLE

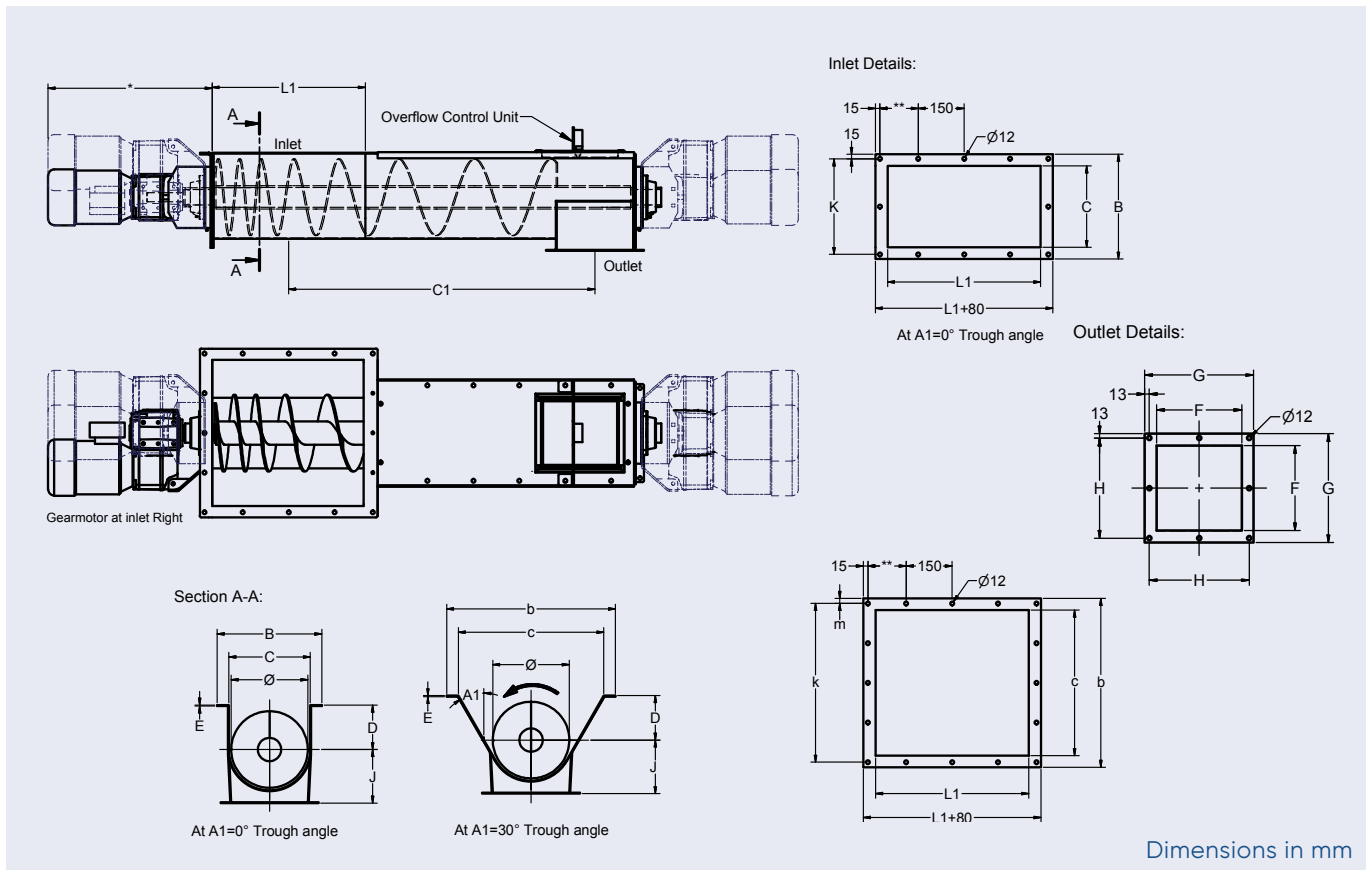
Standard screw conveyors type SC-C (transport) and SC-P (discharge) are available in mild steel or stainless steel in diameters from 160 mm to 500 mm.

A standard screw conveyor consists of:

- Trough with variable length, dust tight covers, inlet, outlet, end plates mounted with flanged bearings and shaft seals.
- Screw made welded flights according to material properties, intermediate bearings when required.
- Driving station consisting a geared motor mounted on adjustable bracket for alternative positions.
- Automatic overflow guard at end outlet.

ANDRITZ

ENGINEERED SUCCESS



DIMENSION SKETCH

| Type | SC | Ø | C1 | L1 | A1 | B | b | C | c | D | E | F | G | H | J | K | k | m |
|--------|-----|---|----|----------|-----|------|-----|-----|-----|---|-----|-----|-------|-----|----------|----------|------|---|
| SC 160 | 160 | * | * | 0° / 30° | 252 | 395 | 176 | 319 | 100 | 3 | 160 | 230 | 2x102 | 130 | 2x111 | 3x120.67 | 16.5 | |
| SC 200 | 200 | * | * | 0° / 30° | 292 | 464 | 216 | 388 | 120 | 3 | 200 | 270 | 2x122 | 150 | 2x131 | 3x144 | 16 | |
| SC 250 | 250 | * | * | 0° / 30° | 342 | 551 | 266 | 475 | 145 | 3 | 250 | 320 | 2x147 | 175 | 2x156 | 4x129.5 | 16.5 | |
| SC 315 | 315 | * | * | 0° / 30° | 413 | 673 | 335 | 595 | 180 | 4 | 315 | 386 | 3x120 | 210 | 3x127.67 | 4x160 | 16.5 | |
| SC 350 | 350 | * | * | 0° / 30° | 448 | 736 | 370 | 658 | 200 | 4 | 350 | 428 | 3x134 | 225 | 3x139.33 | 5x140.4 | 17 | |
| SC 400 | 400 | * | * | 0° / 30° | 498 | 822 | 420 | 744 | 224 | 4 | 400 | 479 | 3x151 | 250 | 3x156 | 6x131.33 | 17 | |
| SC 500 | 500 | * | * | 0° / 30° | 605 | 1010 | 525 | 930 | 280 | 5 | 500 | 586 | 4x140 | 310 | 4x143.75 | 7x139.29 | 17.5 | |

* Contact engineering for details.

** Dimension depends on L1.

ANDRITZ Feed and Biofuel A/S

andritz-fb.dk@andritz.com

p: +45 72 160 300 / andritz.com/ft



All data, information, statements, photographs and graphic illustrations in this leaflet are without any obligation and raise no liabilities to or form part of any sales contracts of ANDRITZ AG or any affiliates for equipment and/or systems referred to herein. © ANDRITZ AG 2021. All rights reserved. No part of this copyrighted work may be reproduced, modified or distributed in any form or by any means, or stored in any database or retrieval system, without the prior written permission of ANDRITZ AG or its affiliates. Due to legal requirements, we must inform you that ANDRITZ AG processes your data for the purposes informing you about the ANDRITZ GROUP and its activities. Find out more details about our data privacy declaration and your rights under the data protection legislation on our website: andritz.com/privacy. ANDRITZ AG, Stattegger Strasse 18, 8045 Graz, Austria.



B 0718

1187 GB